

# M2 PROJEKTBELYSNING

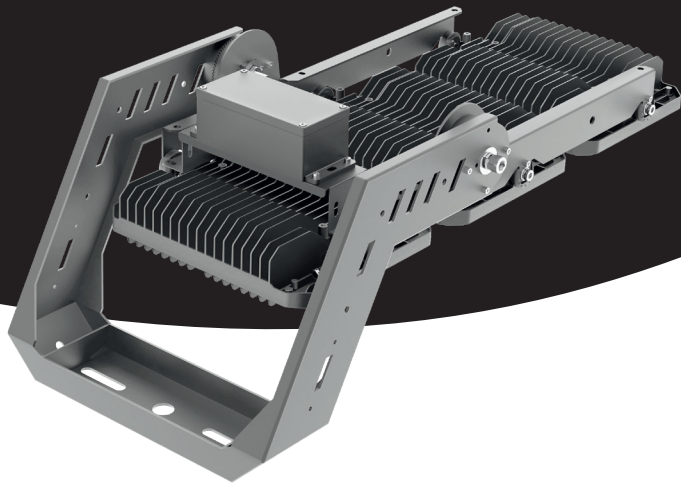
POWER  
**230**  
WATT

POWER  
**450**  
WATT

POWER  
**650**  
WATT

POWER  
**900**  
WATT

POWER  
**1410**  
WATT



## DESIGNLIGHT

### HEAT DISSIPATION



BIG HEAT SINK, BIG DISSIPATION AREA, BETTER HEAT DISSIPATION MINIMIZE LIGHT DECAY.

### PROTECTION GRADES

STRONG DIE-CASTING ALUMINUM HOUSING. TOP 1 "AKZONOBEL" POWDER COATING, NO CORROSION RISK.

IK10

IP66



### CONTROL GEAR

DIE-CASTING AL BOX WITH COMPACT DESIGN. G2.0 DRIVER CONTROL BOARD. FLEXIBLE FOR REMOTE.



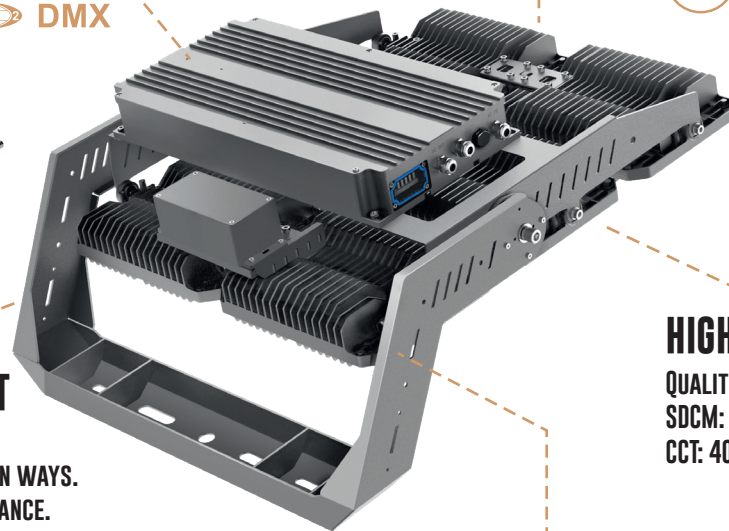
PF>0.95



DMX



3-CORE CABLE



### HIGH LUMEN OUTPUT

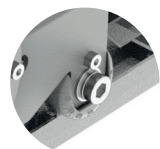


QUALITY LED CHIPS, 145~155 LM/W  
SDCM: MACADAM ELLIPSE 3STEP.  
CCT: 4000K



### INTEGRATED BRACKET

STRONG DESIGN. SUITABLE FOR MULTI-INSTALLATION WAYS. EASY INSTALLATION AND MAINTENANCE.



2.5° PRECISE ANGLE ADJUST KIT.

### PROFESSIONAL OPTICAL



110°, 15°, 25°, 60°, 90° SYMMETRIC

130°x25°, 130°x40°, 130°x60°, 100°x60°, 80°x30° ASYMMETRIC.



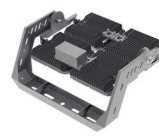
M2-1230-P  
M2-1230D-P DALI



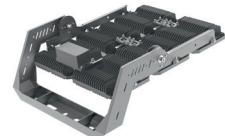
M2-2450-P  
M2-2450D-P DALI



M2-3650-P  
M2-3650D-P DALI



M2-4900-P  
M2-4900D-P DALI



M2-61410-P  
M2-61410D-P DALI



IK10

IP66

SDCM <3



RoHS

5 YEAR WARRANTY

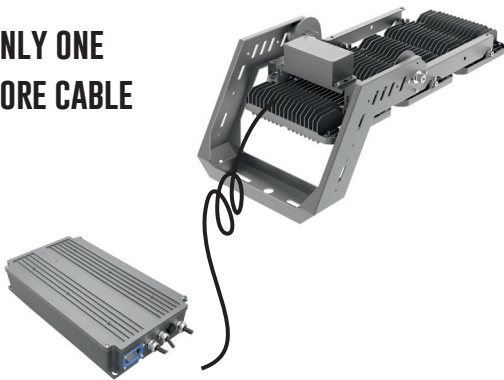
## DESIGNLIGHT

# TECHNICAL DATA

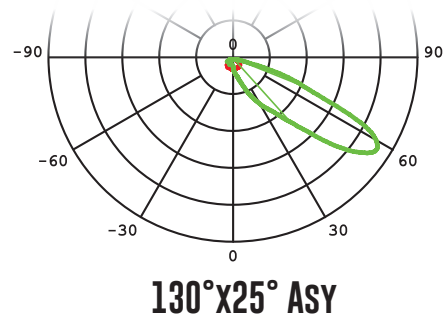
MODEL	M2-1230-P	M2-2450-P	M2-3650-P	M2-4900-P	M2-61410-P
LIGHT SOURCE	SMD 3030 / 5050 / 3535				
INPUT VOLTAGE	100-240VAC 50/60Hz				
LED POWER (W)	204-221	408-442	612-663	816-884	1 344-1 385
SYSTEM POWER (W)	219-237	438-475	658-713	877-951	1 376-1 480
LUMINOUS FLUX (LM)	29 600-33 200	59 200-66 500	88 800-99 800	118 500-133 100	197 400-211 500
CCT (K)	4000 STANDARD (2700/3000/5700)				
CRI	>70 STANDARD (>80, >90)				
BEAM ANGLE	130°x25° STANDARD (ALTERNATIVE LENSES FOR CUSTOMIZATION)				
THD (230VAC)	<20%				
SURGE PROTECTION	CM: 10KV, DM: 6KV		CM: 20KV, DM: 20KV		
THD (230VAC)	<20%	<20%	<20%	<20%	<20%
POWER CABLE	1.5M H05RN-F 3x1.0MM <sup>2</sup>		1M H07RN-F 3x1.5MM <sup>2</sup>		

## SEPARATED DRIVER SOLUTION

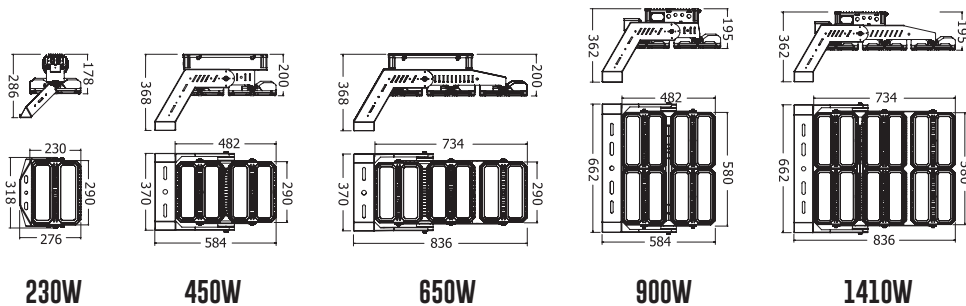
ONLY ONE  
3-CORE CABLE



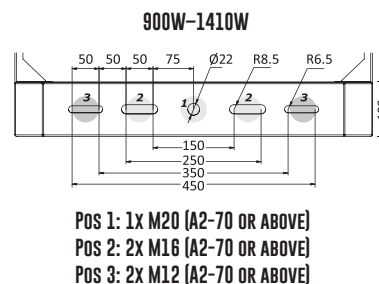
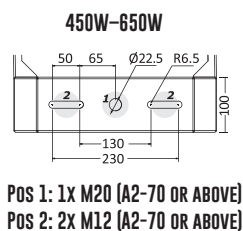
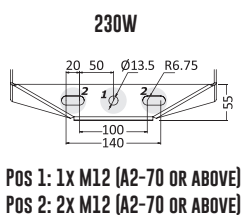
## LUMINOUS INTENSITY DISTRIBUTION DIAGRAM



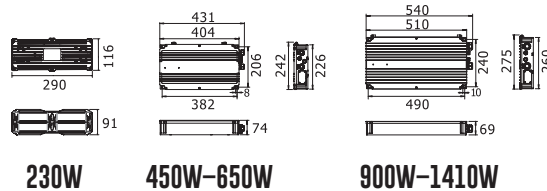
## DIMENSION (MM)



### SELECTION OF MOUNTING HOLES



## DIMENSION (MM) CONTROL GEAR (DRIVER BOX)



## NET WEIGHT (KG)

POWER	ARMATUR LUMINAIRE	CONTROL GEAR	ARMATUR + CONTROL GEAR LUMINAIRE + CONTROL GEAR
230W	3,0 KG	2,8 KG	6,7 KG
450W	11,3 KG	4,5 KG	15,8 KG
650W	15,2 KG	5,3 KG	20,5 KG
900W	20,8 KG	6,2 KG	27,0 KG
1410W	26,3 KG	7,9 KG	34,2 KG

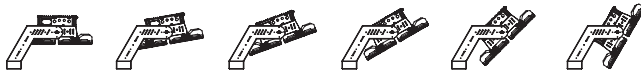
## QTY OF PRODUCTS TO EACH CIRCUIT BREAKER

POWER	DALI-2					
	B10	B16	C10	C16	D10	D16
230W (1x DRIVER)	1	2	2	4	5	8
450W (2x DRIVER)	0	1	1	2	2	4
650W (3x DRIVER)	0	0	0	1	1	2
900W (4x DRIVER)	0	0	0	1	1	2
1410W (6x DRIVER)	0	0	0	0	0	1

POWER	0/10V					
	B10	B16	C10	C16	D10	D16
230W (1x DRIVER)	4	7	6	10	6	10
450W (2x DRIVER)	2	3	3	5	3	5
650W (3x DRIVER)	1	2	2	3	2	3
900W (4x DRIVER)	1	1	1	2	1	2
1410W (6x DRIVER)	0	1	1	1	1	1

## EFFECTIVE PROJECTED AREA (EPA=SCx)

UNIT: M<sup>2</sup>



MODEL	TILT ANGLE	0°	10°	20°	30°	45°	60°
230W		0,034	0,030	0,042	0,046	0,053	0,056
450W		0,059	0,100	0,096	0,101	0,103	0,112
650W		0,059	0,100	0,085	0,102	0,110	0,143
900W		0,086	0,112	0,135	0,165	0,192	0,240
1410W		0,086	0,101	0,140	0,169	0,216	0,242

MAXIMUM PROJECTED AREA OF THE FLOODLIGHT:

230W	0.067
450W	0.140
650W	0.213
900W	0.280
1410W	0.426

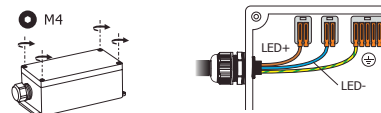
## WIRING OF SEPARATED CONTROL GEAR SOLUTION



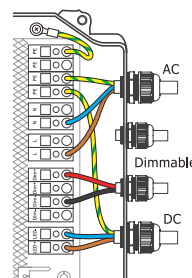
ONLY ONE 3-CORE CABLE

POWER	CROSS-SECTIONAL AREA	MAX CABLE LENGTH
230W	3x 1,5 MM <sup>2</sup>	300 M
	3x 2,5 MM <sup>2</sup>	400 M
450W	3x 1,5 MM <sup>2</sup>	200 M
	3x 2,5 MM <sup>2</sup>	300 M
650W	3x 1,5 MM <sup>2</sup>	150 M
	3x 2,5 MM <sup>2</sup>	250 M
900W	3x 1,5 MM <sup>2</sup>	80 M
	3x 2,5 MM <sup>2</sup>	200 M
	3x 4,0 MM <sup>2</sup>	250 M
1410W	3x 1,5 MM <sup>2</sup>	50 M
	3x 2,5 MM <sup>2</sup>	150 M
	3x 4,0 MM <sup>2</sup>	200 M

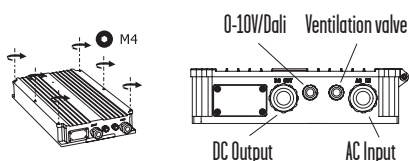
### 1 CONNECTION OF LUMINAIRE



### 2 CONTROL GEAR (0-10V/DALI)



### 3 CABLE GLAND OF CONTROL GEAR



CONNECTION	CABLE GLAND	TORQUE (N*M)	CABLE DIAMETER (MM)	CABLE SECTION (MM <sup>2</sup> )
AC INPUT	M20	5,5	10-12	1,5 (2,5)
DC OUTPUT	M20	5,5	10-12	1,5 (2,5)
DIMMABLE	M16	2,5	7-10	1,0-1,5



**DESIGNLIGHT SCANDINAVIAN AB**  
**TOFFELVÄGEN 1 · SE-342 60 MOHEDA · SWEDEN**  
**TELEFON/PHONE +46 (0)472-716 10 · INFO@DESIGNLIGHT.NU**  
**WWW.DESIGNLIGHT.NU**