



# DESIGNLIGHT

SCANDINAVIAN AB

## PLAFOND KORRIDOR, CANOPY

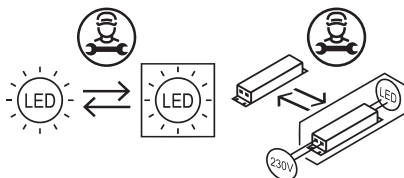
E-NR: 70 280 98

ART NR: PL003-1721

EFFEKT POWER	KELVIN KELVIN	TOTAL LUMEN	USEFUL LUMEN
18W	2700K/3000K/4000K	1500-1800LM	1596LM/1719LM/1820LM 2700K/3000K/4000K

ROHS CE

LIFETIME  
L70B50: 50.000H



- INSTALLATIONSVÄNLIG
- LÅG ENERGIFÖRBRUKNING
- PASSAR TAKDOOSA
- SLIMMAD DESIGN

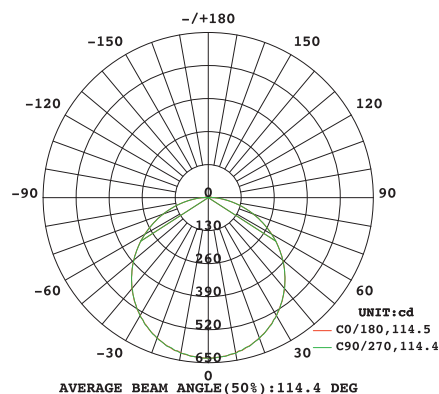
- EASY TO INSTALL
- LOW ENERGY CONSUMPTION
- FITS CEILING BOX
- SLIM DESIGN



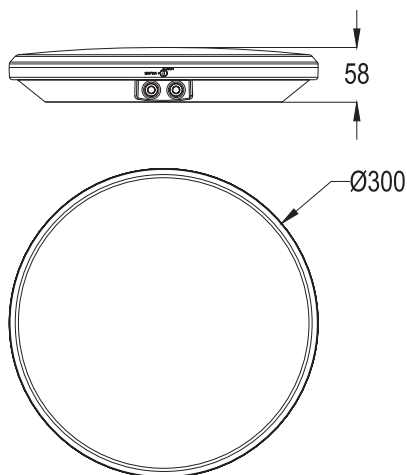
**SWITCHABLE**  
**2700K**  
**3000K**  
**4000K**

18W - 4000K

### LUMINOUS INTENSITY DISTRIBUTION DIAGRAM



### PL003-1721



**ENERGY**

Designlight Scandinavian AB  
PL003-1721

A  
B  
C  
D  
E  
F  
G

**18**  
kWh/1000h

2019/2015



1.900K	2.700-3.000K	4.000-4.500K	4.800K	5.000-5.000K	7.000-7.500K	10.000K
STEARINLJUS CANDLE	VARMVIT WARM WHITE	NATURLIG VIT NATURAL WHITE	SOLLJUS DIRECT SUN	VITT DAGSLJUS DAY WHITE	KALLVIT COOL WHITE	BLÅ HIMMEL BLUE SKY

LÄS MER OM VÅRA GARANTIVILLKOR PÅ [WWW.DESIGNLIGHT.NU](http://WWW.DESIGNLIGHT.NU) READ MORE ABOUT OUR WARRANTY CONDITIONS AT: [WWW.DESIGNLIGHT.NU](http://WWW.DESIGNLIGHT.NU)

### SAKERHET:

- 1 Läs igenom hela manualen noggrant före installation.
- 2 Försäkra dig om att spänningen är fränslagen före installation eller underhåll.
- 3 Installation ska utföras av behörig elektriker.

### SAFETY:

- 1 Read the entire manual carefully before installation.
- 2 Make sure that the power is switched off before installation or maintenance.
- 3 Installation must be performed by a qualified electrician.

**DESIGNLIGHT**  
SCANDINAVIAN AB

DESIGNLIGHT SCANDINAVIAN AB · TOFFELVÄGEN 1 · SE-342 60 MOHEDA · SWEDEN  
TELEFON/PHONE +46 (0)472-716 10 · [INFO@DESIGNLIGHT.NU](mailto:INFO@DESIGNLIGHT.NU) · [WWW.DESIGNLIGHT.NU](http://WWW.DESIGNLIGHT.NU)